

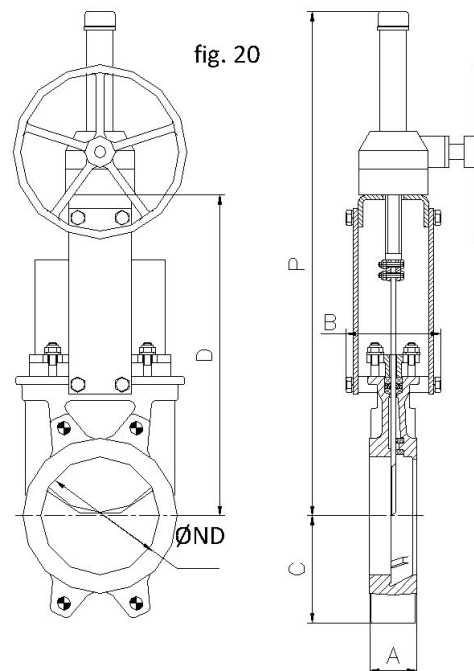


KNIFE-GATE VALVES

A SERIES

GEAR BOX

- It is recommendable for DN greater than 600.
- **B = Max. width** of the valve (without actuator)
D = Max. height of the valve (without actuator)
- Options:
 - Chainwheel
 - Locking devices
 - Extensions: stand, pipe, plates...
 - Non-rising stem
- Actuator including:
 - Stem
 - Yoke
 - Cone-shaped gear box
 - Handwheel
- Standard ratio = 4 to 1.
- Available: ND 50 to ND 2000, other ND on request.



DN	ΔP (Kg/cm ²)	DRAW (Nw)	TORQ. (Nm)	A	B	C	D	P	Weight (kg.)
50	10	815	1.86	40	91	61	241	540	17
65	10	1375	3.14	40	91	68	268	566	18
80	10	2083	4.76	50	91	91	294	592	19
100	10	3252	7.43	50	91	104	334	632	20
125	10	5080	11.6	50	101	118	367	665	24
150	10	5134	11.7	60	101	130	419	717	26
200	8	9138	26.1	60	118	159	525	942	50
250	6	10227	29.2	70	118	196	626	1043	63
300	6	14748	42.1	70	118	230	726	1194	77
350	5	16064	62.3	96	290	254	797	1335	106
400	5	21042	81.6	100	290	287	903	1441	134
450	3	20043	77.7	106	290	304	989	1677	173
500	3	24883	96.5	110	290	340	1101	1789	216
600	3	36081	139.9	110	290	398	1307	2045	284
700	2	39945	180.1	110	320	453	1506	2401	430
800	2	43493	237.8	110	320	503	1720	2715	615
900	2	55024	300.9	110	320	583	1953	3043	768
1000	2	68580	374.9	110	320	613	2137	3351	972
1100	2	83196	539.8	150	340	670	2375	3675	1142
1200	2	99026	642.5	150	340	728	2616	4042	1298
1300	2	117653	763.3	150	390	787	2882	4382	1400
1400	2	136884	888.1	150	390	837	3250	4852	N.D.
1500	2	158591	1190.6	170	426	890	3517	5217	N.D.
1600	2	180653	1518.6	170	426	957	3775	5575	N.D.
1700	2	204052	1715.2	190	440	1010	4008	5908	N.D.
1800	2	230715	1939.4	190	440	1057	4242	6242	N.D.
1900	2	258472	2172.6	210	480	1110	4390	6490	N.D.
2000	2	289155	2760.9	210	480	1162	4540	6740	N.D.

N.D.: Weight not given

Table 8

C.M.O.

Amategui Aldea 142, 20400 Txarama-Tolosa (SPAIN)

TEC-A.EN05

Tel. Nacional: 902.40.80.50 Fax: 902.40.80.51 / Tel. Internacional: 34.943.67.33.99 Fax: 34.943.67.24.40

cmo@cmo.es <http://www.cmo.es>

Page 15